

BALLROOM LED CHANDELIER COLLECTION

BALLROOM MOLECULE GOLD CHANDELIER

The Ballroom Molecule Chandelier features five spheres, available in different translucent hues, they merge in a unique atom shape to form a dazzling molecule!

Mouth blown and hand painted glass with brass hand painted edge, on a **Gold** base.

Finishes

AMBER
ARMY GREEN
PURPLE RAIN
PINK
SMOKE

Note: This pendant is handblown small variations and bubbles can occur.

Specifications

H26" x W25"

UL Listed

Lead Time: In Stock



BALLROOM LED CHANDELIER COLLECTION

Ballroom series

APPLICATION:

Retail, supermarket and commercial accent & display lighting.

CONSTRUCTION:

Handblown glass shade with paint spraying & artificial colouring, Iron parts with powder coating electroplating, Plastic parts and UL/ETL approval electrical parts. customized colors available

ELECTRICAL:

1, Terminal box: 110 - 130V Input. "L" for Live wire, "N" for Naught wire, "E" for Earth wire is marking in it.

2, LED bulb:

LED80:

Base:E26, Power:5W, Color temp:2700K, Lumen:400, Dimmable:Yes, Size:Ø 80 L 118, Voltage: 110 - 130V, Lifespan:15,000 hrs, RA index:80+.

LED125:

Base:E26, Power:5W, Color temp:2700K, Lumen:400, Dimmable:Yes, Size:Ø 125 L 176, Voltage: 110 - 130V, Lifespan:15,000 hrs, RA index:80+.

MOUNTING:

Canopy

LABELING:



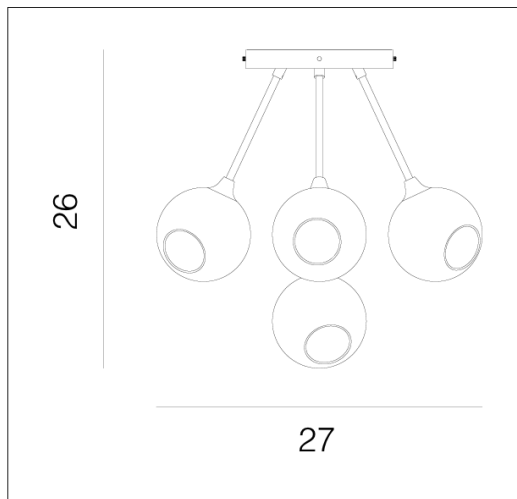
PROJECT:

Pandora

MODEL:

LOL01

LOL02



ORDERING INFORMATION:

Model	Voltage	LED Bulb	Descriptions of Product	Mounting
LOL01	110-130V	G80	Glass shade D200 with rose painting & golden edge, Socket 26 with golden plating, Golden trumpet, 2.5m 3-cord black tc cable, Black plastic cable locker, Iron canopy D120 with white coating.	Canopy
LOL02	110-130V	G80	Glass shade D200 with smoke painting & silver edge, Socket 26 with silver plating, Silver trumpet, 2.5m 3-cord black tc cable, Black plastic cable locker, Iron canopy D120 with white coating	Canopy

Example: LOL01

Cat #:

Design By Us reserves the right to change details that do not affect overall function and performance.

Rentemestervej • 2400 Copenhagen NV • Denmark
 Tel. +45 3811 8086
 mail@design-by-us.com
 www.design-by-us.com