

the sisters extra large

pendant lamp

product code — sis xl p

Technical information

voltage — 110 v ~ 60 Hz

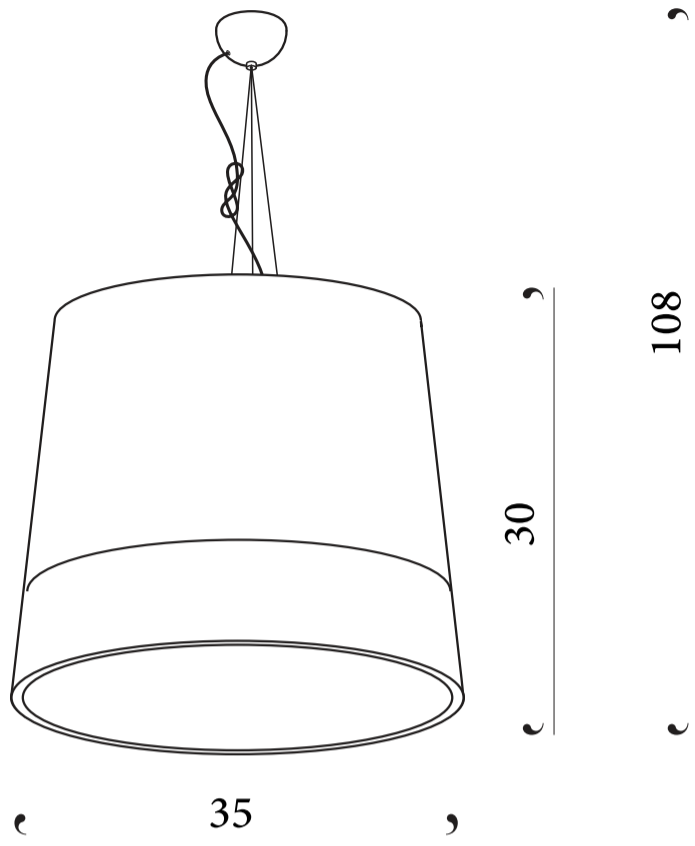
light-bulb type — 3x max 60w

light-bulb socket — E27

material — plastic, painted canvas, steel

environment — indoor

certifications — 



handmade in EU

“mammalampa” is trademark of “mammastudio” Ltd. registered in Latvia / EU

copyright ©mammalampa 2015

Assembly manual

Remember that connection to the power network can be only carried out by professional electricians!

Unpack the lighting object, place it on a clean surface and place the parts of the lighting object in the order that is shown in the technical diagram.

Make sure to switch off the electrical power!

Fastening the element of the rope which carries the weight of lighting object to hang on a hook fixed in the ceiling.

If it is necessary to shorten the distance from the lighting object to the ceiling, the fastening element of the rope is moved to the necessary distance (Point ① in the technical diagram). If necessary, the lighting object should be levelled. Please make sure that cords and fastening elements are firmly connected and are not at risk of becoming disconnected!

Connect the power connection element of the lighting object to the power installation on the ceiling. ②

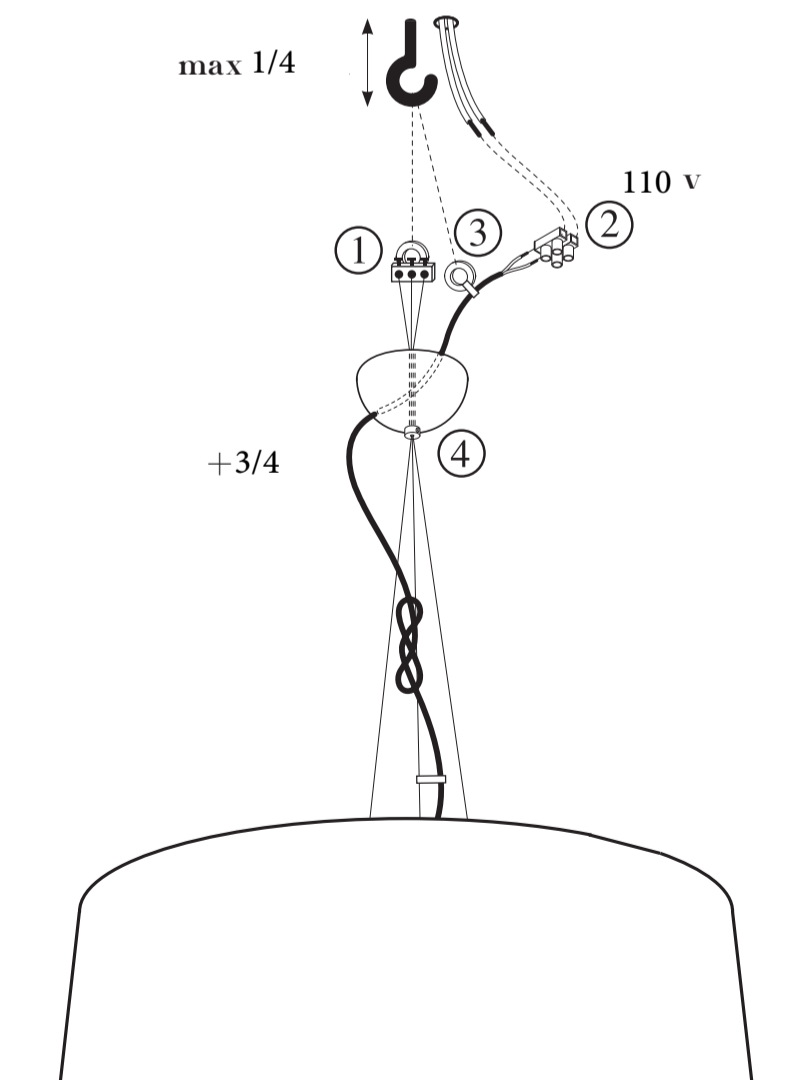
Attach the fastening element attached to the power cord to the hook on the ceiling. ③

If the distance between the ceiling and the lighting object (Article No.1) is shortened, the remaining power cord should be placed inside the dome. The power cord must be free falling, ~20 cm longer than the weight-carrying cords.

Move the dome covering the fixing knot to the ceiling and fix it with the fixing bolt. ④

Screw the light bulb into the lighting object.

Switch on the electrical power contact.



the sisters medium

pendant lamp

product code — sis m p

Technical information

voltage — 110 v ~ 60 Hz

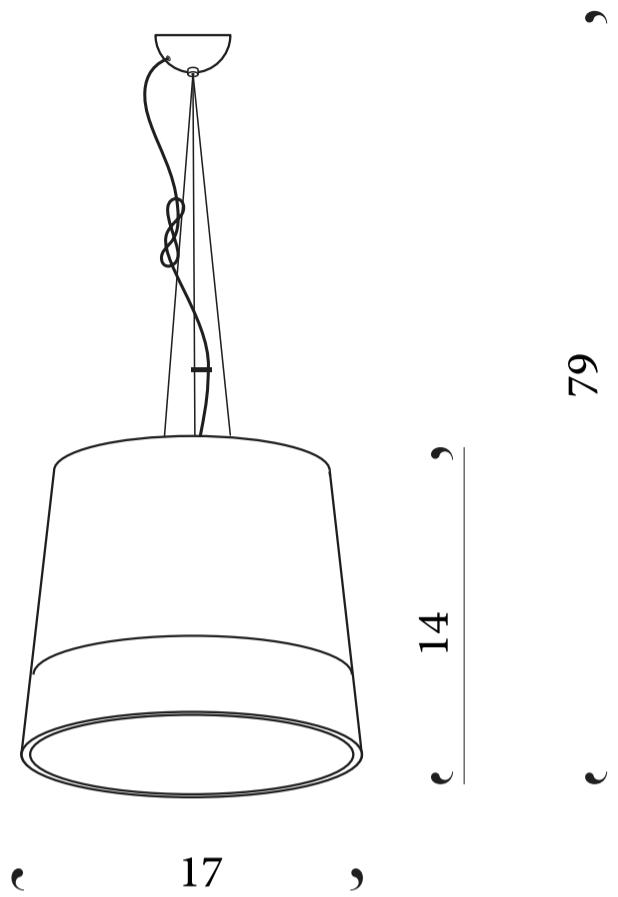
light-bulb type — 1x max 60w

light-bulb socket — E27

material — painted canvas, wood

environment — indoor

certifications — 



handmade in EU

“mammalampa” is trademark of “mammastudio” Ltd. registered in Latvia / EU

copyright ©mammalampa 2014

Assembly manual

Remember that connection to the power network can be only carried out by professional electricians!

Unpack the lighting object, place it on a clean surface and place the parts of the lighting object in the order that is shown in the technical diagram.

Make sure to switch off the electrical power!

Fastening the element of the rope which carries the weight of lighting object to hang on a hook fixed in the ceiling.

If it is necessary to shorten the distance from the lighting object to the ceiling, the fastening element of the rope is moved to the necessary distance (Point ① in the technical diagram). If necessary, the lighting object should be levelled. Please make sure that cords and fastening elements are firmly connected and are not at risk of becoming disconnected!

Connect the power connection element of the lighting object to the power installation on the ceiling. ②

Attach the fastening element attached to the power cord to the hook on the ceiling. ③

If the distance between the ceiling and the lighting object (Article No.1) is shortened, the remaining power cord should be placed inside the dome. The power cord must be free falling, ~20 cm longer than the weight-carrying cords.

Move the dome covering the fixing knot to the ceiling and fix it with the fixing bolt. ④

Screw the light bulb into the lighting object.

Switch on the electrical power contact.

